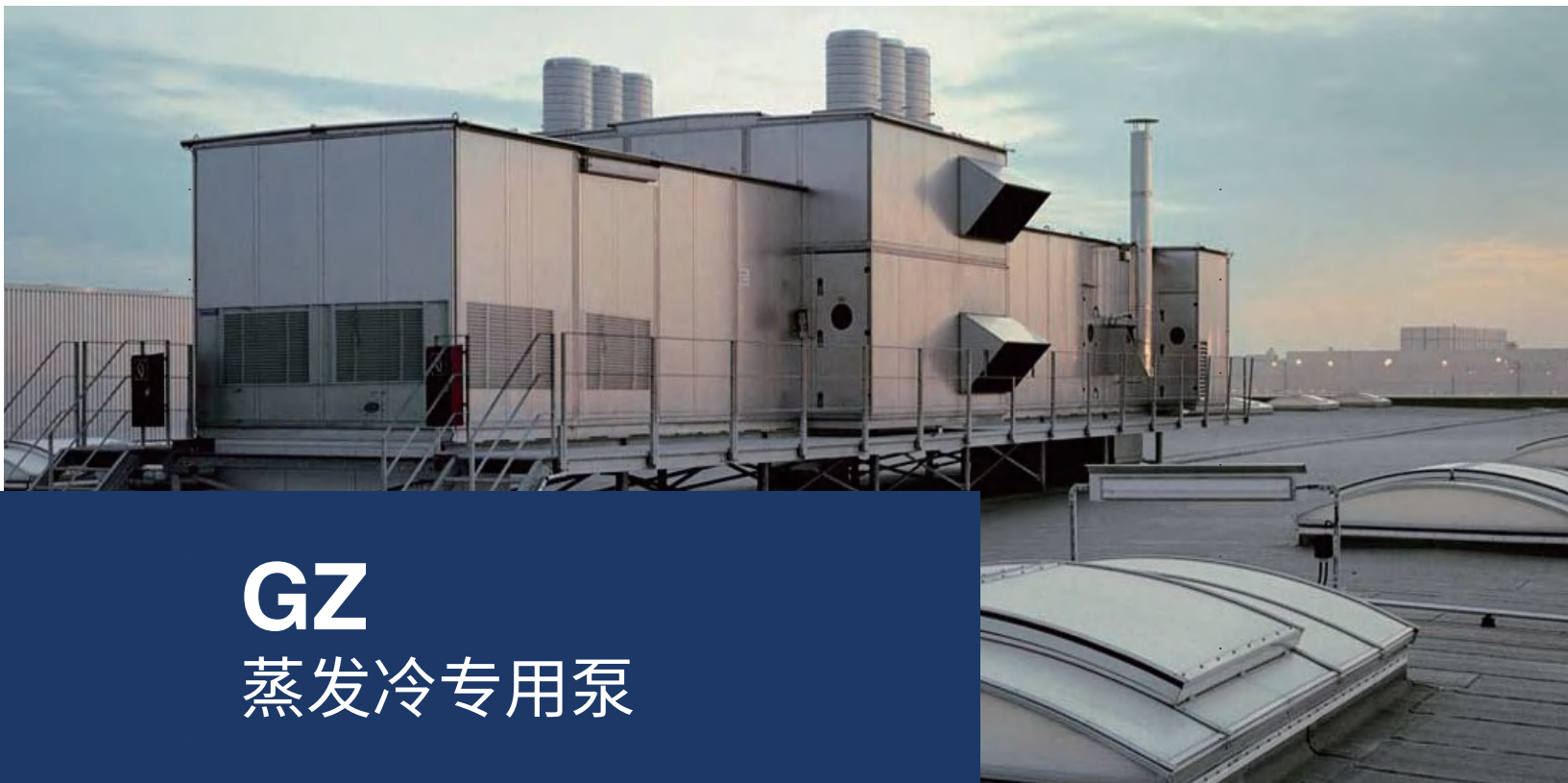




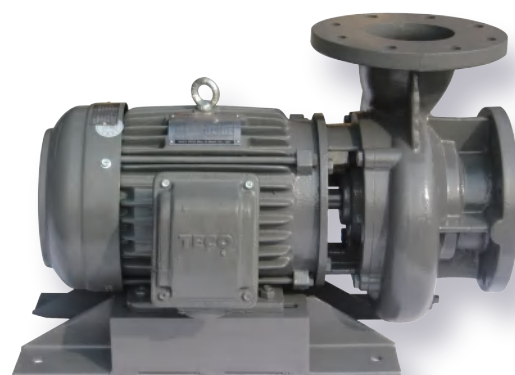
川源(中国)机械有限公司
GSD (China) Co., Ltd.



GZ

蒸发冷专用泵

GZ series evaporative cooling pump



GZ

GZ series evaporative cooling pump



用途 Applications

GZ系列水泵特别适用于蒸发式冷凝器的配套，亦可用于某些大流量、低扬程的场合。

GZ series evaporative cooling pump is special applied on the evaporative condenser, it also can be used in some large flow and low head location.

特点 Features

- 叶轮采用优秀水力模型设计，具有极好的动静平衡，性能稳定。
- 泵轴为电机加长轴，同心度绝对可靠。
- 采用国际知名品牌轴承，振动小，噪音低。
- 单吸、单级卧式离心泵，采用封闭叶轮及泵体。
- 同轴直接式构造，效率高、体积小、重量轻，安装保养容易。
- 采用机械密封，不损轴心，不漏水，使用寿命长。
- 全线不过载：泵在其性能曲线上任意工作点运转时，泵消耗功率均不超过额定功率。
- 可根据客户要求采用不同材质或立式泵类型的产品。

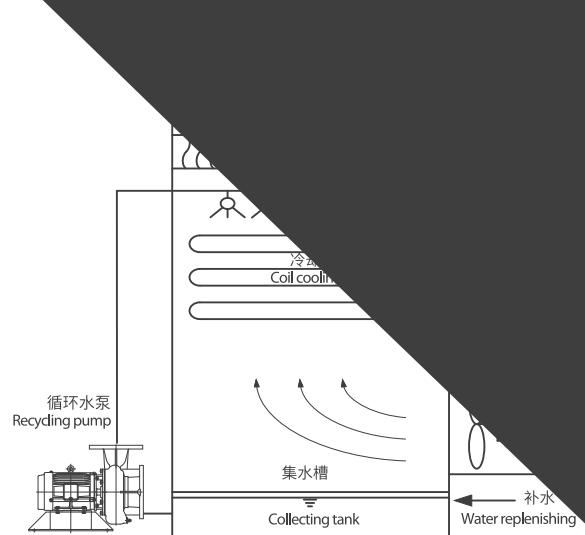
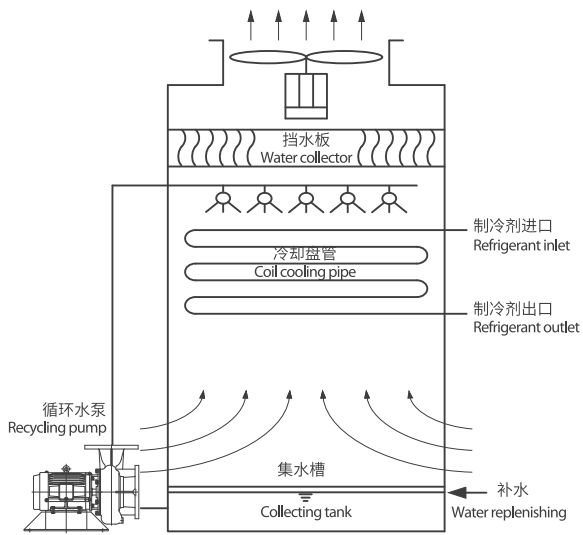
- The optimal hydraulic model is used for impeller, the pump is of an utmost dynamic-static balance and reliable performance.
- The pump shaft is an extended one from the motor, so the concentricity is absolutely reliable.
- The pump which is supported by well-known international brands' bearing, runs at little vibration and low noise.
- Singl-stage single-suction horizontal centrifugal pump; closed impeller and volute chamber are adopted.
- Coaxial volute structure, high efficiency,

■

■

■

成...
 其余落...
 轴流风机...
 管, 填料、饱...
 湿空气中夹带的...
 控制水滴飘散损失, ...
 散失至大气中的水蒸气在



型号说明 Type description

GZ 3 10-150



进口口径 SUC.Diameter(mm)

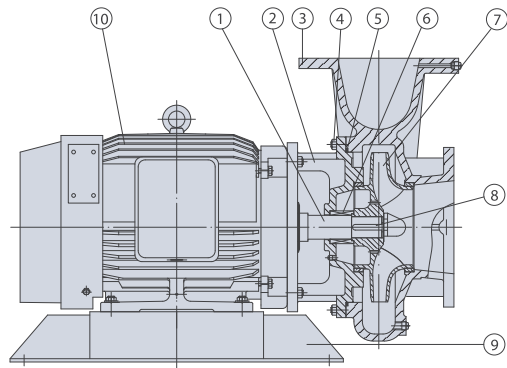
额定功率 Rated power(hp)

相数 Phase

蒸发冷凝泵 GZ Series evaporative cooling pump

结构简图 Construction

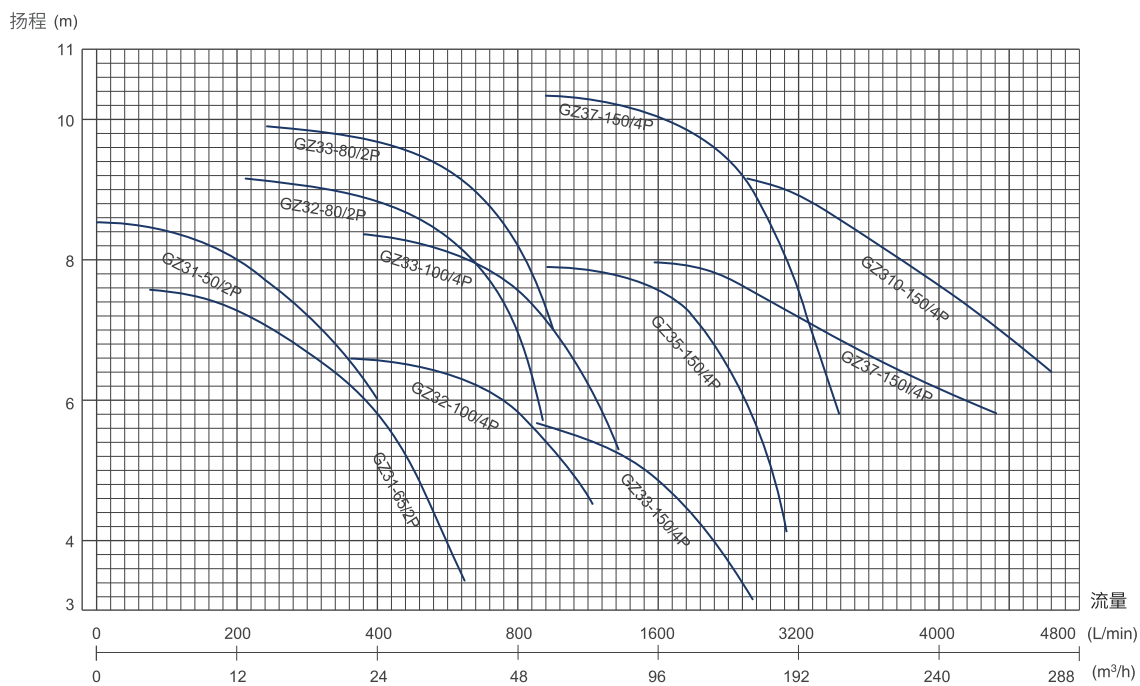
| NO | 名称 | Name | 材质 | Material |
|----|------|-----------------|----------------------------------|----------|
| 1 | 主轴 | Shaft | SUS410 | |
| 2 | 中承座 | Bracket | FC200 | |
| 3 | 泵体 | Pump casing | FC200 | |
| 4 | 螺栓 | Bolt | SS34 | |
| 5 | O型圈 | O-ring | NBR | |
| 6 | 机械密封 | Mechanical seal | C/AL ₂ O ₃ | |
| 7 | 叶轮 | Impeller | FC200 | |
| 8 | 键 | Key | S45C | |
| 9 | 机座 | Feet | FC200/SS34 | |
| 10 | 电机 | Motor | | |



不同机型材质略有不同。

The material will change according to the different type.

型谱图 Performance curves

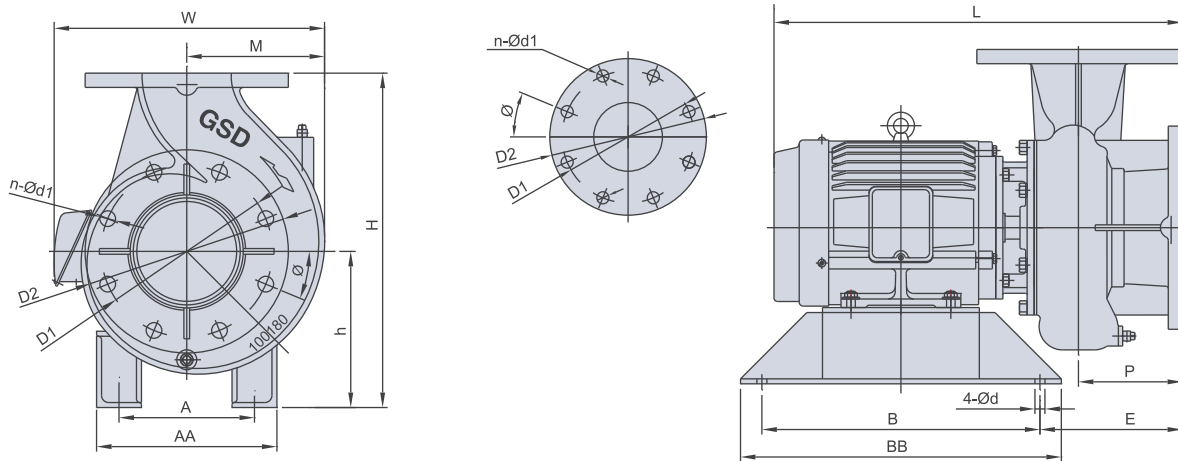


性能参数 Performance parameters

| 型号 Type | 转速 Speed (r/min) | 流量 Capacity (m ³ /h) | 扬程 Head(m) | 效率 Eff(%) | 电动机功率 Motor power | | 必须气蚀余量 NPSHr(m) | 口径 Dia(mm) | 重量 Weight(kg) |
|------------|------------------------|---------------------------------------|---------------|--------------|----------------------|------|--------------------|---------------|------------------|
| | | | | | (hp) | (kW) | | | |
| GZ31-50 | 2900 | 16 | 7.5 | 57 | 1 | 0.75 | 2.5 | 50 | 40 |
| | | 20 | 7 | 62 | | | 2.5 | | |
| | | 22 | 6.5 | 61 | | | 2.5 | | |
| GZ31-65 | 2900 | 23 | 6 | 58 | 1 | 0.75 | 2.5 | 65 | 41 |
| | | 30 | 5 | 60 | | | 2.5 | | |
| | | 35 | 4.2 | 56 | | | 2.5 | | |
| GZ32-80 | 2900 | 35 | 8.2 | 59 | 2 | 1.5 | 2.5 | 80 | 46 |
| | | 45 | 7.5 | 63 | | | 2.5 | | |
| | | 55 | 6 | 62 | | | 2.5 | | |
| GZ33-80 | 2900 | 40 | 9 | 64 | 3 | 2.2 | 2.5 | 80 | 50 |
| | | 50 | 8 | 67 | | | 2.5 | | |
| | | 60 | 7 | 66 | | | 2.5 | | |
| GZ32-100 | 1450 | 30 | 6.5 | 56 | 2 | 1.5 | 3.0 | 100 | 57 |
| | | 45 | 6 | 66 | | | 3.0 | | |
| | | 60 | 5.3 | 65 | | | 3.0 | | |
| GZ33-100 | 1450 | 40 | 8 | 63 | 3 | 2.2 | 3.0 | 100 | 66 |
| | | 60 | 7 | 69 | | | 3.0 | | |
| | | 75 | 6 | 64 | | | 3.0 | | |
| GZ33-150 | 1450 | 90 | 5.2 | 60 | 3 | 2.2 | 3.5 | 150 | 86 |
| | | 114 | 4.5 | 64.5 | | | 3.5 | | |
| | | 130 | 4.0 | 63 | | | 3.5 | | |
| GZ35-150 | 1450 | 112 | 7.5 | 71 | 5.5 | 4 | 3.5 | 150 | 96 |
| | | 140 | 6.5 | 73 | | | 3.5 | | |
| | | 170 | 5.4 | 71 | | | 3.5 | | |
| GZ37-150 | 1450 | 120 | 9.8 | 72.5 | 7 | 5.5 | 3.5 | 150 | 120 |
| | | 160 | 9 | 77 | | | 3.5 | | |
| | | 192 | 7.3 | 74 | | | 3.5 | | |
| GZ37-150I | 1450 | 200 | 7 | 76 | 7 | 5.5 | 3.5 | 150 | 125 |
| | | 220 | 6.5 | 77 | | | 3.5 | | |
| | | 255 | 6 | 78 | | | 3.5 | | |
| GZ310-150 | 1450 | 200 | 8.5 | 78 | 10 | 7.5 | 3.5 | 150 | 160 |
| | | 240 | 7.5 | 82 | | | 3.5 | | |
| | | 260 | 7 | 80 | | | 3.5 | | |



外形及安装尺寸 Installation dimensions



| 型号 Type | 电动机功率 Dimensions(mm) | | | | | | | | | | | | | | | |
|--------------|----------------------|-----|-----|-----|----|-------|-----|-----|-----|-----|-----|-----|-----|-----|------|-------|
| | A | AA | B | BB | Ød | E | H | h | L | M | P | W | D1 | D2 | Ø | n-Ød1 |
| GZ31-50/2P | 125 | 177 | 290 | 342 | 14 | 112 | 220 | 110 | 396 | 91 | 84 | 237 | 125 | 165 | 45 | 4-Ø18 |
| GZ31-65/2P | 125 | 175 | 290 | 340 | 14 | 116.5 | 305 | 135 | 401 | 121 | 85 | 286 | 145 | 185 | 45 | 4-Ø18 |
| GZ32-80/2P | 140 | 192 | 290 | 340 | 14 | 153.5 | 345 | 165 | 457 | 137 | 100 | 315 | 160 | 200 | 22.5 | 8-Ø18 |
| GZ33-80/2P | 140 | 192 | 290 | 340 | 14 | 153.5 | 345 | 165 | 457 | 137 | 100 | 315 | 160 | 200 | 22.5 | 8-Ø18 |
| GZ32-100/4P | 140 | 216 | 290 | 340 | 14 | 177.5 | 365 | 165 | 481 | 164 | 115 | 334 | 180 | 220 | 22.5 | 8-Ø18 |
| GZ33-100/4P | 160 | 230 | 390 | 440 | 14 | 149 | 375 | 175 | 519 | 164 | 115 | 328 | 180 | 220 | 22.5 | 8-Ø18 |
| GZ33-150/4P | 160 | 223 | 390 | 450 | 14 | 193 | 457 | 207 | 563 | 193 | 146 | 357 | 240 | 285 | 22.5 | 8-Ø22 |
| GZ35-150/4P | 190 | 253 | 390 | 450 | 14 | 200 | 469 | 219 | 573 | 193 | 146 | 379 | 240 | 285 | 22.5 | 8-Ø22 |
| GZ37-150/4P | 216 | 291 | 390 | 440 | 14 | 234 | 457 | 207 | 640 | 193 | 146 | 410 | 240 | 285 | 22.5 | 8-Ø22 |
| GZ37-150I/4P | 216 | 291 | 390 | 440 | 14 | 249 | 487 | 207 | 636 | 224 | 149 | 441 | 240 | 285 | 22.5 | 8-Ø22 |
| GZ310-150/4P | 216 | 291 | 390 | 440 | 14 | 249 | 487 | 207 | 674 | 224 | 149 | 441 | 240 | 285 | 22.5 | 8-Ø22 |



川源

水处理系统专业合作伙伴

免费咨询电话

400-657-9066

数据来源：公司实验室数据及客户实际使用数据，具体使用环境不同，数据可能存在差异。

The data on the brochure is based on the laboratory testing data and customers' actual operation data in the past. The actual data may be different in different application conditions.

本型录内容如有变更，恕不另行通知。

We reserve the right to change content without notice.

川源(中国)机械有限公司版权所有 all rights reserved. CY-34

