



川源（中国）机械有限公司
GSD Industrial Co.,Ltd.



VJA

喷流曝气机

VJA Jet aerator



VJA 喷流曝气机

VJA Jet aerator

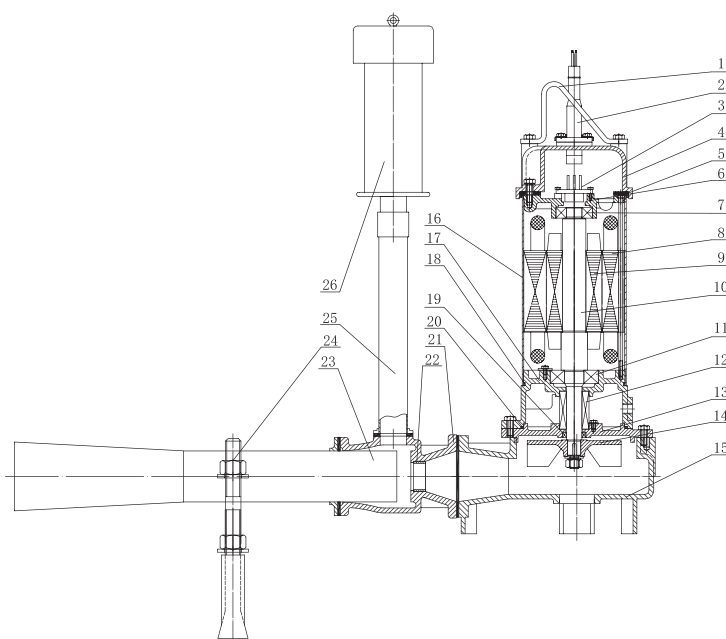
Application

Aeration oxygen of Aquaculture, pond.
 Landscape pond or sinks with stirring the water, prevent contamination precipitation.
 Industrial wastewater treatment, effluent treatment of livestock husbandry and general foul sewer aeration engineering.

Features

Aeration parts :
 It has unique design for gas mixture chamber whose intake air quantity is big. It can be mixed well with water, and can produce minute and plenty of air bubble with high air dissolving rate.
 Special aeration pump :
 Low wear, no wound and no clog , it has long service life . The product is connected with inner bolt bar, it has good appearance.

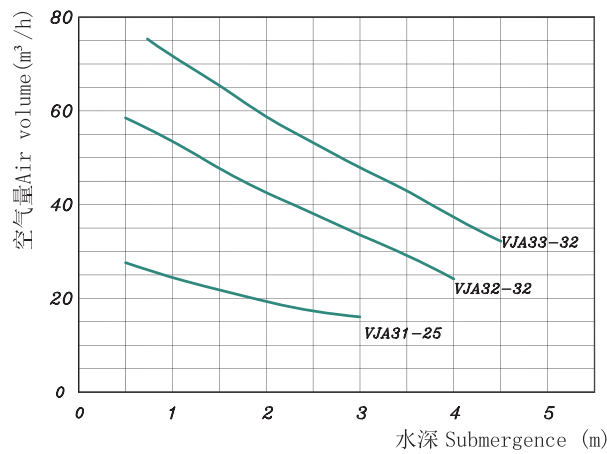
Construction and material



编号 NO	名称 Name	材质 Material	
		GB	JIS
1	Handle	Q235	Q235
2	Cable	-	-
3	Heat-protector	-	-
4	Motor cover	HT200	FC200
5	Motor cover gasket	NBR	NBR
6	Shaft block	HT200	FC200
7	Bearing	-	-
8	Stator	-	-
9	Rotor	-	-
10	Shaft	3Cr13	SUS420J2
11	Bearing	-	-
12	Mechanical seal	SIC-SIC	SIC-SIC
13	Oil cover	HT200	FC200

编号 NO	名称 Name	材质 Material	
		GB	JIS
14	Impeller	HT200	FC200
15	Pump casing	HT200	FC200
16	Motor casing	0Cr18Ni9	SUS304
17	Bracket	HT200	FC200
18	O-ring	-	-
19	Framework oil seal	-	-
20	O-ring	-	-
21	Join mixing chamber	HT200	FC200
22	Nozzle bushing	0Cr18Ni9	SUS304
23	Divergent pipe	0Cr18Ni9	SUS304
24	Expansion bolt	Q235A	SS400
25	Air intake pipe	Q215A	SS330
26	Muffler	Q235A	SS400

Performance curves

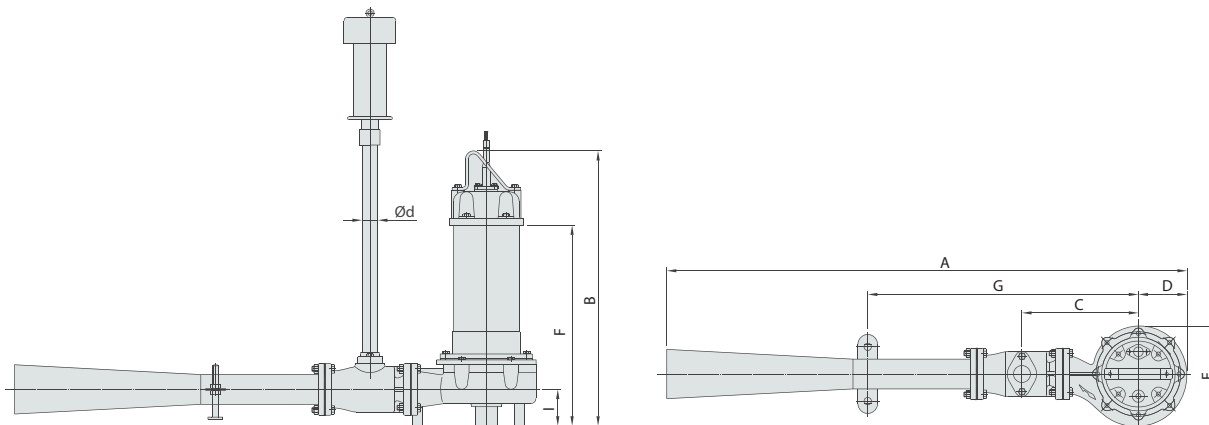


Specifications

型号 Type	功率 Power		极数 Pole	吸气管口径 mm(inch)	空气量-水深 Air capacity-water depth m³/h-m	曝气槽尺寸 Basin dimensions			适合水深 Workable water depth (m)
	hp	kW				L(m)	W(m)	H(m)	
VJA31-25	1	0.75	2	25(1")	18-2	3	2.5	3	1-3
VJA32-32	2	1.5	2	32(1 1/4")	34-3	4	4	4	1-4
VJA33-32	3	2.2	2	32(1 1/4")	38-4	4	4	4.5	1-4.5



Installation dimensions



型号 Type	尺寸 Dimensions(mm)									重量 Weight (kg)
	A	B	C	D	E	F	G	l	d	
VJA31-25	900	425	213	72	149	316	465	55	25A	25
VJA32-32	1056	558	236	99	204	407	549	74	32A	35
VJA33-32	1056	583	236	99	204	432	549	74	32A	37



川源（中国）机械有限公司
GSD Industrial Co.,Ltd.

免费咨询电话

400-657-9066

We reserve the right to change content without notice.

CY-G7

