



川源(中国)机械有限公司  
GSD (China) Co., Ltd.

# GHSK

## 单级单吸半开式离心泵

**GHSK single-stage single-suction semi-open type centrifugal pump**

# GHSK 单级单吸半开式离心泵

## GHSK Single-stage Single-suction Semi-open Type Centrifugal Pump



### 简介 General

GHSK型单级单吸半开式离心泵叶轮采用半开式结构，能输送含有颗粒或其它杂质的液体。

GHSK型泵有1450r/min和2900r/min两种转速，可供输送清水及物理化学性质类似与水的液体外，还能输送各种不含腐蚀性的浆料，纤维等杂质的液体，适用于工业、城市给排水、食品、造纸等行业。

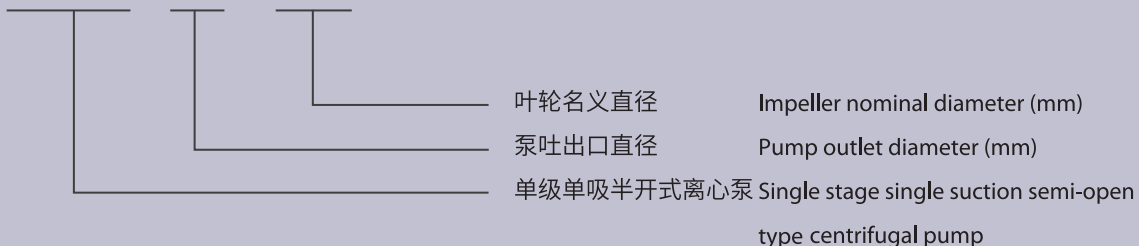


GHSK type single-stage single-suction semi-open type centrifugal pump has semi-open structure of the impeller, which can transport liquid containing particles or other impurities.

GHSK type pump with 1450r/min and 2900r/min two kinds of speed, In addition to the transport of water and physical chemistry Nature similar to the water of the liquid, but also conveying a variety of non corrosive slurry, fiber and other impurities of the liquid, Applicable to industrial, urban water supply and drainage, food, paper and other industries.

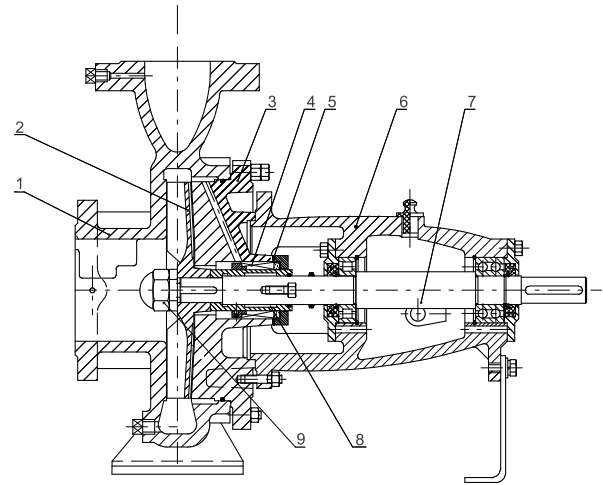
### 型号说明 Type description

GHSK 65 - 100

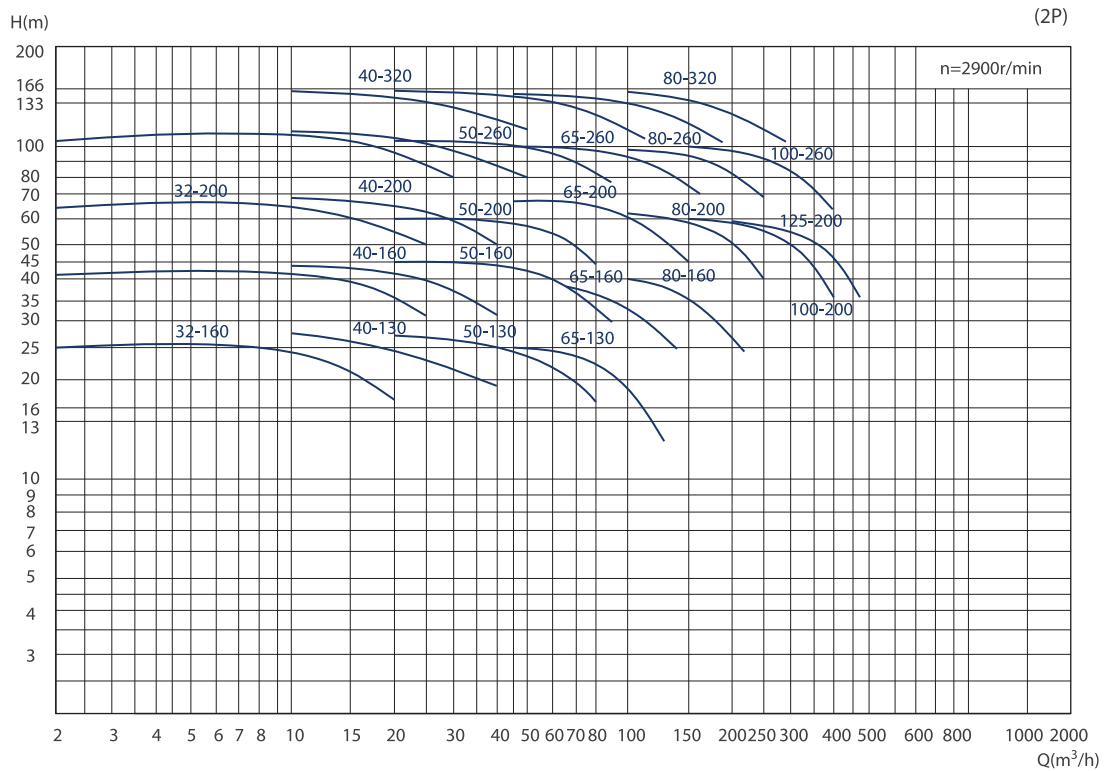


## 结构简图 Construction

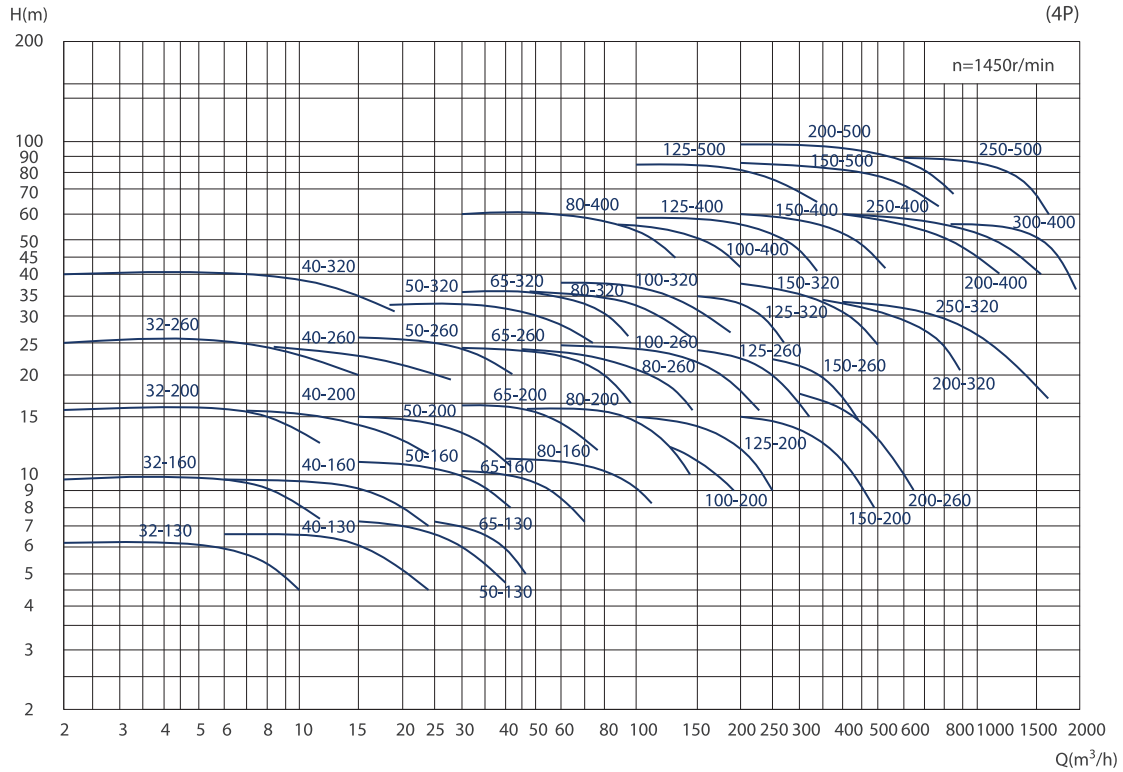
NO.	名称	Name	材质	
			GB	JIS
1	泵体	Pump casing	HT250	FC250
2	叶轮	Impeller	HT250	FC250
3	泵盖	Pump casing	HT250	FC250
4	机械密封	Mechanical seal	C-SiC	C-SiC
5	压盖	Mechanical seal cover	HT250	FC250
6	悬架部件	Suspension	HT250	FC250
7	轴	Shaft	20Cr13	SUS420J1
8	轴套	Shaft sleeve	06Cr19Ni10	SUS304
9	叶轮螺母	Impeller nut	ZG07Cr19Ni10	SUS304



## 型谱图 Performance chart



## 型谱图 Performance chart



## 性能参数 Performance parameters

型号 Type	转速 Speed (r/min)	流量 Capacity		扬程 Head(m)	效率 Eff(%)	功率 Power (kW)		必须汽蚀余量 Npshr(m)
		(m³/h)	l/s			轴功率 (Pa) Shaft power	电动机功率 Motor power	
GHSK32-130	2900	9	2.5	24.9	39	1.56	3	2.2
		15	4.2	23	50	1.88		2.8
		18	5	21	51	2.02		3.3
GHSK32-160	2900	10.8	3	40	42	2.8	5.5	2.2
		18	5	38.5	53	3.56		3.0
		21.6	6	36	54	3.92		3.6
GHSK32-200	2900	10.8	3	66	38	5.11	11	2.3
		18	5	61.5	47.5	6.35		2.9
		21.6	6	57	48.5	6.91		3.3
GHSK32-260	2900	13.2	3.7	102	27.5	13.33	22	2.8
		22	6.1	96	35.5	16.2		3.7
		26.4	7.3	89	36	17.77		4.3
GHSK40-130	2900	18	5	26	56	2.28	4	2.4
		30	8.3	24.5	70.5	2.84		3.5
		36	10	23	72.5	3.11		4.5
GHSK40-160	2900	18	5	41	49	4.1	7.5	3.7
		30	8.3	38.5	59	5.33		4.2
		36	10	35.5	59.5	5.85		4.7
GHSK40-200	2900	18	5	64	43	7.3	15	2.8
		30	8.3	61	54.5	9.14		3.7
		36	10	58.6	57	10.08		4.2
GHSK40-260	2900	21.6	6	98.5	40	14.49	30	2.5
		36	10	95.5	51	18.36		3.0
		43.2	12	91	54	19.83		3.4
GHSK40-320	2900	21.6	6	150	29	30.43	45	3.0
		36	10	139	39	34.94		3.8
		43.2	12	127	40	37.35		4.8



## 性能参数 Performance parameters

(2P)

型号 Type	转速 Speed (r/min)	流量 Capacity		扬程 Head(m)	效率 Eff(%)	功率 Power(kW)		必须汽蚀余量 Npshr(m)
		(m <sup>3</sup> /h)	l/s			轴功率 (Pa) Shaft power	电动机功率 Motor power	
GHSK50-130	2900	36	10	26	62.5	4.08	7.5	3.4
		60	16.7	23.5	71	5.41		4.3
		72	20	21.5	69.5	6.07		4.9
GHSK50-160	2900	40	11.1	42.5	63.5	7.29	15	3.0
		65	18.1	39	71	9.72		4.5
		78	21.7	35.5	68.5	11.01		5.7
GHSK50-200	2900	36	10	61	59	10.14	22	2.9
		60	16.7	55	65	13.83		4.2
		72	20	51	64.5	15.5		5.1
GHSK50-260	2900	40	11.1	103	49	22.9	45	3.2
		65	18.1	97.5	58.5	29.5		5.0
		78	21.7	91	58	33.33		5.9
GHSK50-320	2900	54	15	146	48	44.73	75	4.5
		90	25	137	56	59.96		8.0
		108	30	130	57	67.08		9.0
GHSK65-130	2900	60	16.7	25.5	61.5	6.78	11	3.6
		100	27.8	21	65	8.8		4.9
		120	33.3	16	54	9.68		5.8
GHSK65-160	2900	64.8	18	39	64	10.75	22	4.2
		108	30	33.5	72.5	13.59		5.2
		129.6	36	29	67	15.28		6.0
GHSK65-200	2900	66	18.3	64	60	19.17	37	3.2
		110	30.6	59	69.5	25.43		5.2
		132	36.7	54.5	68.5	28.6		7.2
GHSK65-260	2900	72	20	98	59.5	32.3	55	4.3
		120	33.3	90	68	43.25		5.5
		144	40	83	68	47.87		6.4
GHSK65-320	2900	81	22.5	147	49	66.18	110	4.8
		135	37.5	131	58	83.04		5.4
		162	45	115	55	92.25		6.5
GHSK80-160	2900	100	27.8	39.5	66	16.3	30	4.3
		162	45	35	73	21.15		5.3
		195	54.2	31	70	23.52		6.2
GHSK80-200	2900	115	31.9	60	65	28.91	55	4.2
		190	52.8	55	73	38.98		6.1
		225	62.5	50	69.5	44.08		7.5
GHSK80-260	2900	115	31.9	97	60	50.63	90	4.8
		190	52.8	88	70	65.05		7.1
		225	62.5	81	68.5	72.46		8.7
GHSK80-320	2900	126	35	146	59	84.91	132	6.6
		210	58.3	134	69	111.06		7.3
		252	70	121	68	122.12		8.0
GHSK100-200	2900	180	50	61	67	44.63	75	5.0
		295	81.9	51.5	74	55.91		6.8
		340	94.4	42	69	56.36		8.0
GHSK100-260	2900	190	52.8	97	66	76.05	132	4.8
		295	81.9	86	71	97.31		6.5
		350	97.2	80	69	110.51		8.5
GHSK125-200	2900	237.6	66	57.5	59.5	62.53	90	8.0
		360	100	50.5	69.5	71.24		8.2
		475.2	132	40	63	82.17		8.8



## 性能参数 Performance parameters

(4P)

型号 Type	转速 Speed (r/min)	流量 Capacity		扬程 Head(m)	效率 Eff(%)	功率 Power(kW)		必须汽蚀余量 Npshr(m)
		(m <sup>3</sup> /h)	l/s			轴功率 (Pa) Shaft power	电动机率 Motor power	
GHSK32-130	1450	4.5	1.3	6.2	30	0.25	0.55	1.6
		7.5	2.1	5.6	41	0.28		1.7
		9	2.5	5.2	44	0.29		2.0
GHSK32-160	1450	6	1.7	9.7	37	0.43	0.75	1.7
		9	2.5	9	43	0.51		2.0
		11	3.1	8	44.5	0.54		2.4
GHSK32-200	1450	6	1.7	16.3	35	0.76	1.5	1.8
		9	2.5	15.4	43	0.88		2.0
		11	3.1	14.5	46	0.94		2.2
GHSK32-260	1450	7.2	2	25	25	1.96	3	1.8
		12	3.3	23.5	34.5	2.23		2.6
		14.4	4	22	37	2.33		3.3
GHSK40-130	1450	10.8	3	6.55	52	0.37	0.75	1.6
		18	5	5.8	62	0.46		1.9
		21.6	6	5.4	62	0.51		2.3
GHSK40-160	1450	10.8	3	10.2	50	0.6	1.5	1.9
		18	5	8.8	57	0.76		2.4
		21.6	6	7.8	55	0.83		2.8
GHSK40-200	1450	10.8	3	16.2	45	1.06	2.2	2.0
		18	5	14	51	1.35		2.3
		21.6	6	12.4	50	1.46		2.5
GHSK40-260	1450	12.6	3.5	24.4	37	2.26	4	2.0
		21	5.8	22	47	2.68		2.3
		25.2	7	20	47.5	2.89		2.8
GHSK40-320	1450	9	2.5	38	27	3.45	5.5	1.9
		14.4	4	37.5	37	3.97		2.3
		18	5	37	40	4.53		2.8
GHSK50-130	1450	18	5	6.6	55	0.59	1.1	2.2
		30	8.3	6.3	70.5	0.73		2.6
		36	10	5.7	69	0.81		2.9
GHSK50-160	1450	20	5.6	10.4	59	0.96	2.2	2.3
		32	8.9	9.8	69	1.24		2.7
		38	10.6	9.4	69.5	1.4		3.0
GHSK50-200	1450	18	5	16	53	1.48	3	2.4
		30	8.3	14	59	1.94		2.8
		36	10	13.5	60	2.21		3.2
GHSK50-260	1450	20	5.6	25	47.5	2.87	5.5	1.9
		32	8.9	24	59.5	3.52		2.5
		38	10.6	23	61.5	3.87		3.0
GHSK50-320	1450	32.4	9	37	51.5	6.34	15	3.0
		54	15	30.5	52.5	8.54		3.3
		64.8	18	23.5	42.5	9.76		3.5
GHSK65-130	1450	21.6	6	6.7	45	0.88	1.5	2.2
		36	10	6.4	61	1.03		2.4
		43.2	12	6	64	1.1		2.5
GHSK65-160	1450	32.4	9	10	59	1.5	3	2.1
		54	15	9.2	73	1.85		2.3
		64.8	18	8.4	76	1.95		2.5



## 性能参数 Performance parameters

(4P)

型号 Type	转速 Speed (r/min)	流量 Capacity		扬程 Head(m)	效率 Eff(%)	功率 Power(kW)		必须汽蚀余量 Npsh(m)
		(m <sup>3</sup> /h)	l/s			轴功率 (Pa) Shaft power	电动机功率 Motor power	
GHSK65-200	1450	35	9.7	16.4	61	2.56	4	2.8
		55	15.3	15	71.5	3.14		3.4
		66	18.3	13.8	72.5	3.42		3.7
GHSK65-260	1450	43.2	12	25.3	61.5	4.84	11	2.7
		72	20	21.5	68.5	6.15		3.5
		86.4	24	18.7	63	6.98		4.2
GHSK65-320	1450	43.2	12	37.4	54	8.15	15	1.8
		72	20	33	62	10.44		2.8
		86.4	24	29	60	11.37		3.5
GHSK80-160	1450	50	13.9	10.6	57.5	2.51	4	2.7
		80	22.2	10	71	3.07		3.1
		96	26.7	9.3	72	3.38		3.4
GHSK80-200	1450	63	17.5	15.7	69	3.9	7.5	2.8
		105	29.2	14	74	5.41		3.6
		126	35	12.8	71	6.19		4.4
GHSK80-260	1450	63	17.5	24	65	6.33	11	2.3
		105	29.2	21	71	8.46		2.9
		126	35	18.5	67	9.47		3.3
GHSK80-320	1450	60	16.7	36	57.5	10.23	18.5	2.9
		100	27.8	33	66	13.62		3.0
		120	33.3	30	62.5	15.69		3.6
GHSK80-400	1450	60	16.7	59	50.5	19.09	37	2.6
		100	27.8	55.5	60.5	24.98		3.5
		120	33.3	52.5	61.5	27.9		3.8
GHSK100-200	1450	90	25	15	75	4.9	11	2.3
		142	39.4	12.7	77	6.38		2.8
		170	47.2	10.5	69.5	6.99		3.2
GHSK100-260	1450	99	27.5	24	71	9.11	18.5	2.5
		165	45.8	21	75.5	12.5		3.3
		198	55	19	70	14.64		3.8
GHSK100-320	1450	81	22.5	39	67	12.84	22	2.5
		135	37.5	33.7	75	16.52		3.0
		162	45	30	71.5	18.51		3.5
GHSK100-400	1450	90	25	58.8	55.5	25.97	45	2.5
		150	41.7	51	62.5	33.33		3.0
		180	50	44	59.5	36.25		3.5
GHSK125-200	1450	115	31.9	15.2	57	8.35	15	3.6
		190	52.8	13	72	9.34		4.5
		230	63.9	11.5	71.5	10.07		5.5
GHSK125-260	1450	144	40	24.2	69	13.75	30	3.2
		240	66.7	21.2	76	18.23		4.2
		288	80	17	67	19.9		4.8
GHSK125-320	1450	120	33.3	35	62.5	18.3	37	2.5
		200	55.6	32.5	74	23.92		3.5
		240	66.7	30	73	26.86		4.6
GHSK125-400	1450	144	40	59.5	72	32.14	75	2.8
		245	68.1	52	71.5	48.52		3.6
		300	83.3	45	65.5	56.13		4.3



## 性能参数 Performance parameters

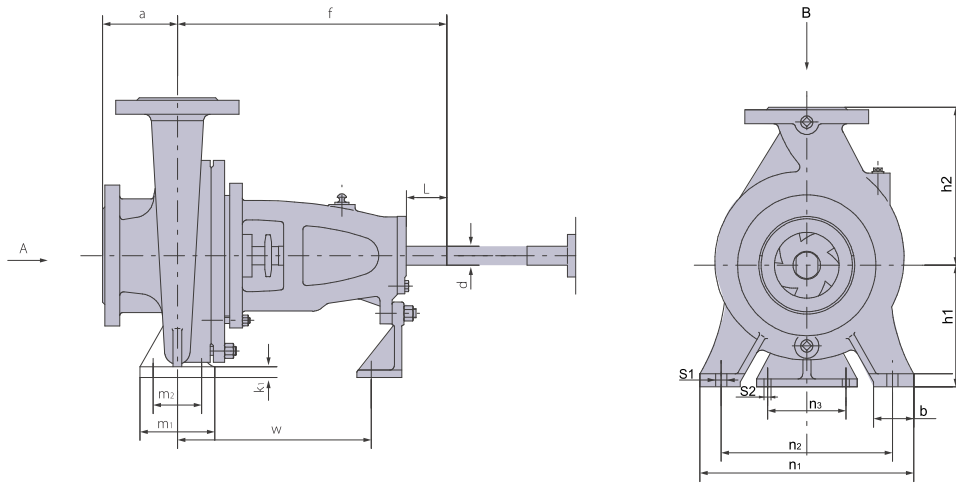
(4P)

型号 Type	转速 Speed (r/min)	流量 Capacity		扬程 Head(m)	效率 Eff(%)	功率 Power (kW)		必须汽蚀余量 Npshr(m)
		(m <sup>3</sup> /h)	l/s			轴功率 (Pa) Shaft power	电动机功率 Motor power	
GHSK125-500	1450	150	41.7	83.5	58	58.81	132	3.8
		250	69.4	78	65	81.7		4.0
		300	83.3	72	60	98.04		4.2
GHSK150-200	1450	216	60	14.4	65	13.03	22	4.5
		360	100	12.2	75	15.95		5.0
		424.8	118	10.3	72	16.55		5.5
GHSK150-260	1450	194	53.9	23.5	70	17.74	37	4.2
		324	90	20.5	77	23.49		4.5
		414	115	16	63	28.63		4.8
GHSK150-320	1450	230	63.9	36.5	69	33.13	55	3.8
		370	102.8	33	76	43.75		4.3
		445	123.6	28.5	70	49.34		4.7
GHSK150-400	1450	240	66.7	58	70	54.15	90	3.9
		385	106.9	53.5	79	71		4.5
		460	127.8	49	78	78.7		5.1
GHSK150-500	1450	300	83.3	86.5	74	95.5	160	4.6
		500	138.9	77.5	79	133.58		5.0
		600	166.7	68	76	146.2		5.4
GHSK200-260	1450	259.2	72	19.5	68	20.24	30	4.5
		432	120	15.2	77	23.22		4.8
		518.4	144	12	69	24.55		5.2
GHSK200-320	1450	345	95.8	35	67.5	48.72	75	4.7
		575	159.7	30	78.5	59.84		5.0
		690	191.7	25.5	74.5	64.32		5.4
GHSK200-400	1450	390	108.3	59.5	69	91.59	160	4.7
		650	180.6	53.5	79	119.88		5.2
		780	216.7	48.5	77	133.8		6.0
GHSK200-500	1450	330	91.7	90	63	128.38	250	5.0
		550	152.8	87	76	171.46		5.8
		660	183.3	84.5	75	202.51		6.8
GHSK250-320	1450	522	145	32	64	71.08	110	4.5
		870	241.7	27.5	78	83.53		6.3
		1044	290	24	77	88.62		8.0
GHSK250-400	1450	550	152.8	56.5	70.5	120.04	200	5.0
		760	211.1	54	80	139.71		5.5
		950	263.9	48.5	78	160.87		6.5
GHSK250-500	1450	534	148.3	85.5	65	191.29	315	5.0
		890	247.2	80	77	251.82		7.0
		1068	296.7	74	76	283.2		9.0
GHSK300-400	1450	831.6	231	52	65	181.18	280	6.8
		1386	385	46.5	81	216.68		8.5
		1663.2	462	42	82.5	230.59		9.5





## 外形及安装尺寸 Installation dimensions



(mm)

型号 Type	泵外形和安装尺寸 Installation dimensions															
	a	f	h1	h2	b	m1	m2	n1	n2	n3	K1	W	S1	S2	d	L
GHSK32-130	80	380	112	140	50	100	70	190	140	110	14	267	14			
GHSK32-160	80	380	132	160	50	100	70	240	190	110	14	267	14			
GHSK32-200	80	380	160	180	50	100	70	240	190	110	14	267	14			
GHSK32-260	100	380	180	225	65	125	95	320	250	110	14	267	14			
GHSK40-130	80	380	112	140	50	100	70	210	160	110	14	267	14			
GHSK40-160	80	380	132	160	50	100	70	240	190	110	14	267	14			
GHSK40-200	100	380	160	180	50	100	70	265	212	110	14	267	14			
GHSK40-260	100	380	180	225	65	125	95	320	250	110	14	267	14			
GHSK40-320	125	490	200	250	65	125	95	345	280	110	14	342	14			
GHSK50-130	100	380	132	160	50	100	70	240	190	110	14	267	14			
GHSK50-160	100	380	160	180	50	100	70	265	212	110	14	267	14			
GHSK50-200	100	380	160	200	50	100	70	265	212	110	14	267				
GHSK50-260	100	380	180	225	65	125	95	320	250	110	14	267				
GHSK50-260G	100	475	180	225	65	125	95	320	250	110	14	329				
GHSK50-320	125	490	225	280	65	125	95	345	280	110	16	342				
GHSK65-130	100	380	160	180	65	125	95	280	212	110	14	267				
GHSK65-160	100	380	160	200	65	125	95	280	212	110	14	267				
GHSK65-200	100	380	180	225	65	125	95	320	250	110	14	267				
GHSK65-200G	100	475	180	225	65	125	95	320	250	110	14	328				
GHSK65-260	100	490	200	250	80	160	120	360	280	110	16	342				
GHSK65-320	125	485	225	280	80	160	120	400	315	110	16	342				
GHSK80-160	125	380	180	225	65	125	95	320	250	110	14	267				
GHSK80-200	125	490	180	250	65	125	95	345	280	110	14	342				
GHSK80-260	125	490	200	280	80	160	120	400	315	110	16	342				
GHSK80-320	125	490	250	315	80	160	120	400	315	110	16	342				
GHSK80-400	125	520	280	355	80	160	120	400	355	110	16	370				



(mm)

型号 Type	泵外形和安装尺寸 Installation dimensions															
	a	f	h1	h2	b	m1	m2	n1	n2	n3	K1	W	S1	S2	d	L
GHSK100-200	125	490	200	280	80	160	120	360	280	110	16	342	18	14	32	75
GHSK100-260	140	490	225	280	80	160	120	400	315	110	16	342	18	14	32	75
GHSK100-320	140	490	250	315	80	160	120	400	315	110	16	342	18	14	32	75
GHSK100-400	140	530	280	355	100	200	150	500	400	110	18	370	23	14	42	85
GHSK125-200	140	490	250	315	80	160	120	400	315	110	16	342	18	14	32	75
GHSK125-260	140	490	250	355	80	160	120	400	315	110	16	342	18	14	32	75
GHSK125-320	140	530	280	355	100	200	150	500	400	110	18	370	23	14	42	85
GHSK125-400	140	530	315	400	100	200	150	500	400	110	18	370	23	14	42	85
GHSK125-500	180	700	375	500	100	200	150	550	450	140	25	511	23	14	55	110
GHSK150-260	160	530	250	355	100	200	150	450	350	110	18	370	23	14	42	85
GHSK150-320	160	536	280	400	100	200	150	550	450	110	18	370	23	14	42	85
GHSK150-400	160	530	315	450	100	200	150	550	450	110	18	370	23	14	42	85
GHSK150-500	180	700	375	500	100	200	150	550	450	140	25	511	23	14	55	115
GHSK200-260	180	550	280	400	100	200	150	550	450	110	25	389	27	14	42	85
GHSK200-320	200	700	355	450	100	200	150	550	450	110	20	511	23	14	48	110
GHSK200-400	200	700	355	500	100	200	150	550	450	110	20	511	23	14	48	110
GHSK200-500	210	705	400	500	160	300	240	720	600	140	30	511	27	14	55	115
GHSK250-320	200	700	355	525	100	250	175	600	500	110	24	511	23	14	48	110
GHSK250-400	250	700	400	500	120	300	250	710	600	110	25	511	23	14	55	110
GHSK250-500	240	875	425	545	160	300	240	720	600	140	30	634	27	19	70	140
GHSK300-320	260	875	400	560	140	300	200	750	600	140	30	625	27	19	70	140
GHSK300-400	280	875	500	600	150	300	200	800	660	140	40	625	27	19	70	140



川源(中国)机械有限公司  
GSD (China) Co., Ltd.

## 水处理系统专业合作伙伴

Professional partners in water treatment systems

免费咨询电话

**400-657-9066**

川源(中国)机械有限公司版权所有 all rights reserved. CY-3B

数据来源: 公司实验室数据及客户实际使用数据, 具体使用环境不同, 数据可能存在差异。本型录内容如有变更, 恕不另行通知。

The data on the brochure is based on the laboratory testing data and customers' actual operation data in the past. The actual data may be different in different application conditions. We reserve the right to change content without notice.

